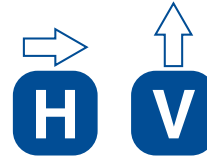
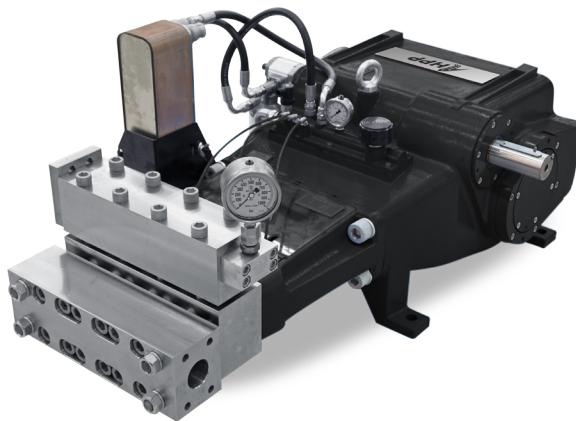



# H-200 SAP L



## LEGEND

 With tungsten carbide plunger









 With forced lubrication

 Heat exchanger

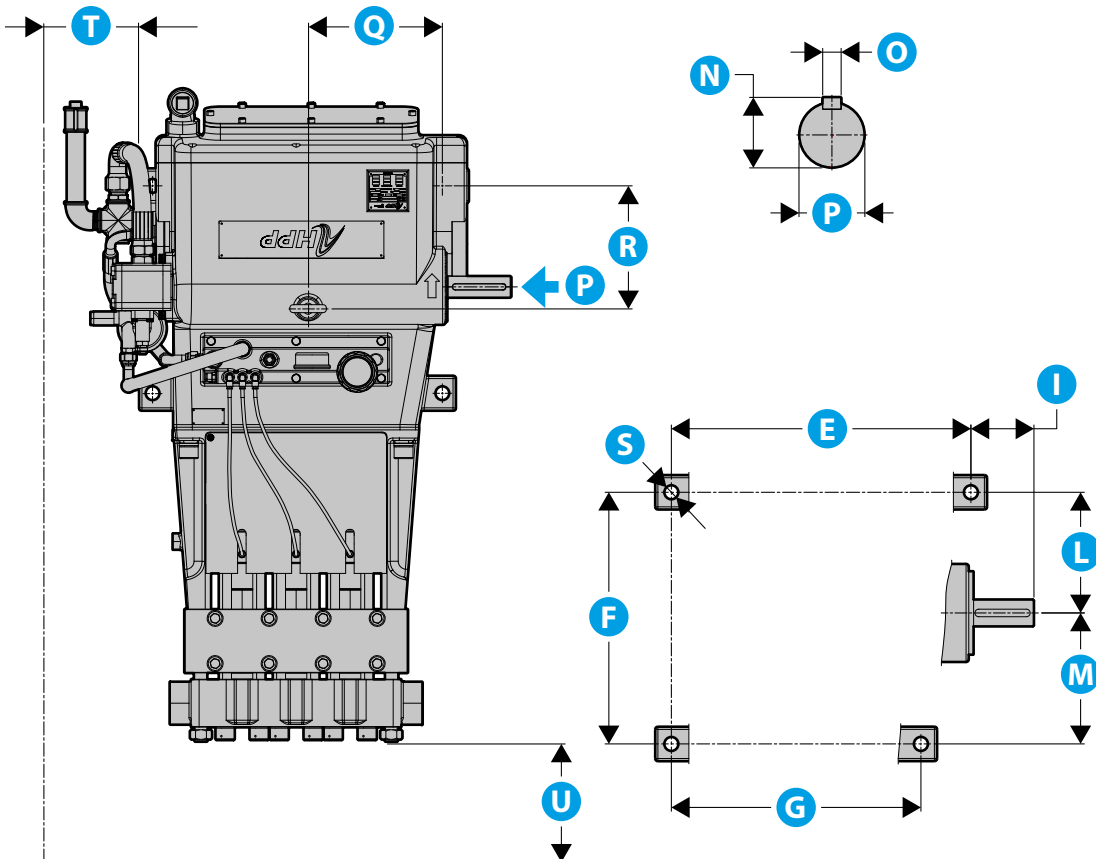
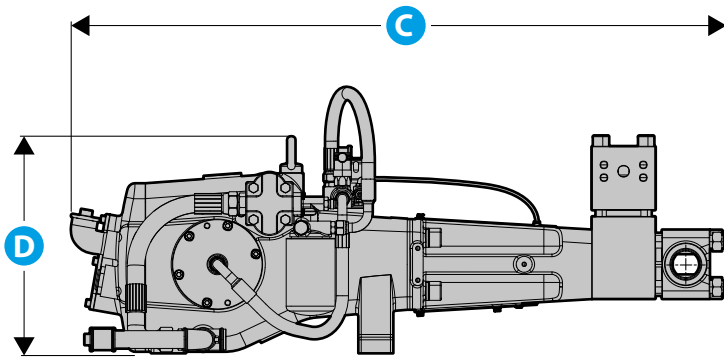
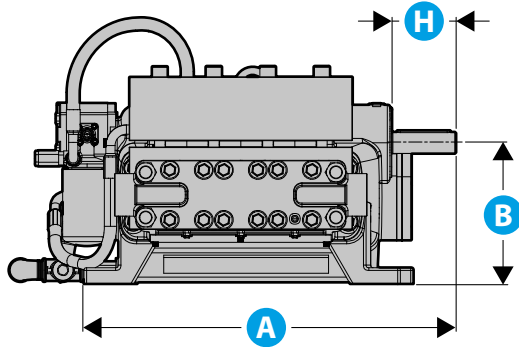
 Vertical assembling

 Horizontal assembling

 H-200 SAP L   

			Motor Engine		Crankshaft									
Code	Code	Ø mm	rpm	gear ratio	rpm	l/min	USgpm	bar	psi	MPa	HP	kW	kg	lb
P232054V11400	P232054H11400	40	1500	3,14	478	180,2	47,6	450	6525	45	204,2	150,2	500	1103
P232064V11400	P232064H11400		1800	3,79	475	179,0	47,3	450	6525	45	202,8	149,2	500	1103
P232054V11450	P232054H11450	45	1500	3,14	478	228,1	60,3	355	5147,5	35,5	203,9	150,0	500	1103
P232064V11450	P232064H11450		1800	3,79	475	226,5	59,8	355	5147,5	35,5	202,5	148,9	500	1103
P232054V11500	P232054H11500	50	1500	3,14	478	281,6	74,4	290	4205	29	205,6	151,2	500	1103
P232064V11500	P232064H11500		1800	3,79	475	279,7	73,9	290	4205	29	204,2	150,2	500	1103
P232054V11550	P232054H11550	55	1500	3,14	478	340,7	90,0	240	3480	24	205,9	151,4	500	1103
P232064V11550	P232064H11550		1800	3,79	475	338,4	89,4	240	3480	24	204,5	150,4	500	1103
P232054V11620	P232054H11620	62	1500	3,14	478	433,0	114,4	190	2755	19	207,1	152,3	500	1103
P232064V11620	P232064H11620		1800	3,79	475	430,0	113,6	190	2755	19	205,7	151,3	500	1103

# DIMENSIONS



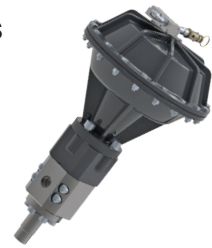
Pump Model		H-200 SAP L
A	mm	703
	(in)	(27,68)
B	mm	315
	(in)	(12,40)
C	mm	1137
	(in)	(44,76)
D	mm	467,5
	(in)	(18,41)
E	mm	556
	(in)	(21,89)
F	mm	467
	(in)	(18,39)
G	mm	556
	(in)	(21,89)
H	mm	112
	(in)	(4,41)
I	mm	117
	(in)	(4,61)
L	mm	224
	(in)	(8,82)
M	mm	243
	(in)	(9,57)
N	mm	53,5
	(in)	(2,11)
O	mm	14 (DIN 6885)
	(in)	(0,55)
P	mm	∅ 50 +0,018 +0,002
	(in)	(∅ 1,97)
Q	mm	273
	(in)	(10,75)
R	mm	278
	(in)	(10,94)
S	mm	∅ 26
	(in)	(∅ 1,02)
T	mm	150
	(in)	(5,91)
U	mm	500
	(in)	(19,69)

## PUMP ACCESSORIES

REGULATING VALVES



PNEUMATIC CONTROL VALVES



SAFETY VALVES



PRESSURE GAUGES

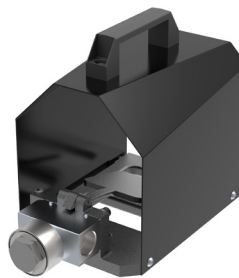


## ACCESSORIES FOR WORK

DUMP SHUT GUNS / UNDERWATER GUNS / PNEUMATIC GUNS



DUMP TYPE FOOT VALVE



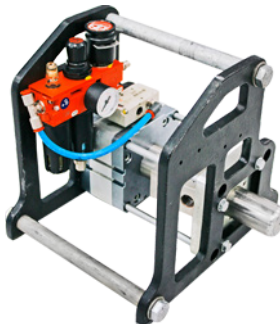
MULTI-JET

Multi-purpose surface. Preparation system for floors and hulls. 2800 bar (40K psi).



POWER BOX

3/2" Ultra High Pressure control valve to control the gun's water flow and/or operate with a multi-gun system.



HIGH PRESSURE HOSES  
ULTRA HIGH PRESSURE HOSES



FLEXIBLE LANCE NOZZLES  
RIGID LANCE NOZZLES



HIGH PRESSURE SWIVEL FOR HOSES



ROTATING NOZZLES



PROTECTIVE CLOTHING FOR WATERJETTING (TST)



FLEXIBLE LANCES / RIGID LANCES



"TURBO" NOZZLES





Distributed by: / Distribuito da:

**P.T.C. Srl** › via Mantegna, 4 - 42048 Rubiera (RE) - Italy

Phone: +39 0522/1932911 › Fax: +39 0522/1932922

mail: [info@ptcitaliana.com](mailto:info@ptcitaliana.com) › website: [www.ptcitaliana.com](http://www.ptcitaliana.com)

---